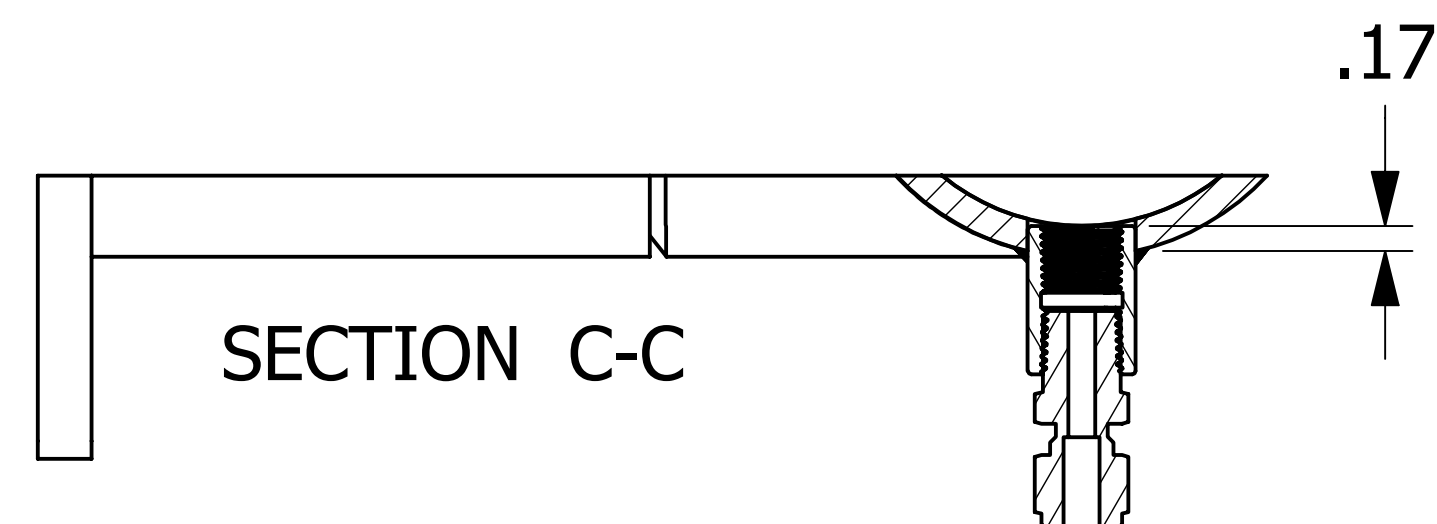
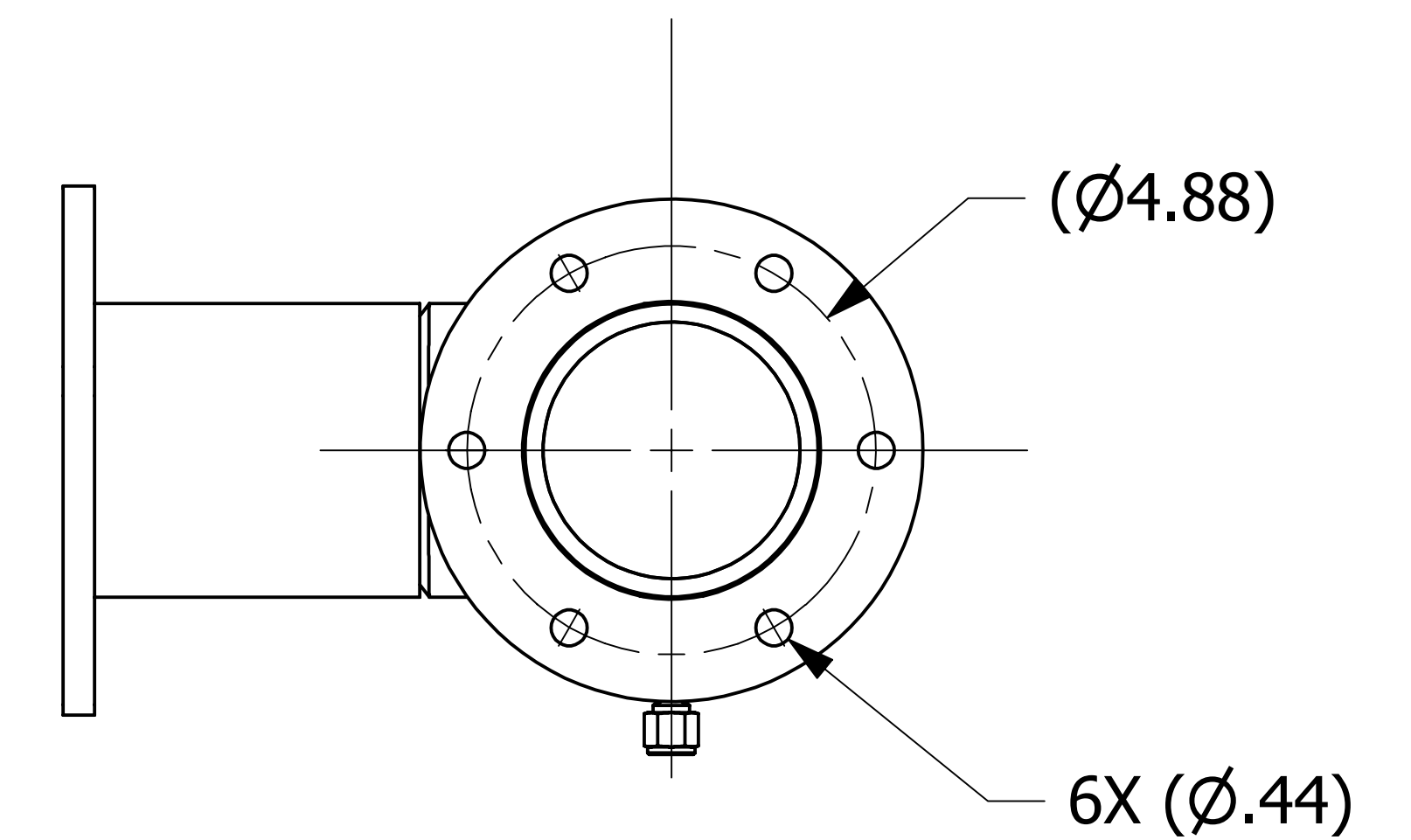
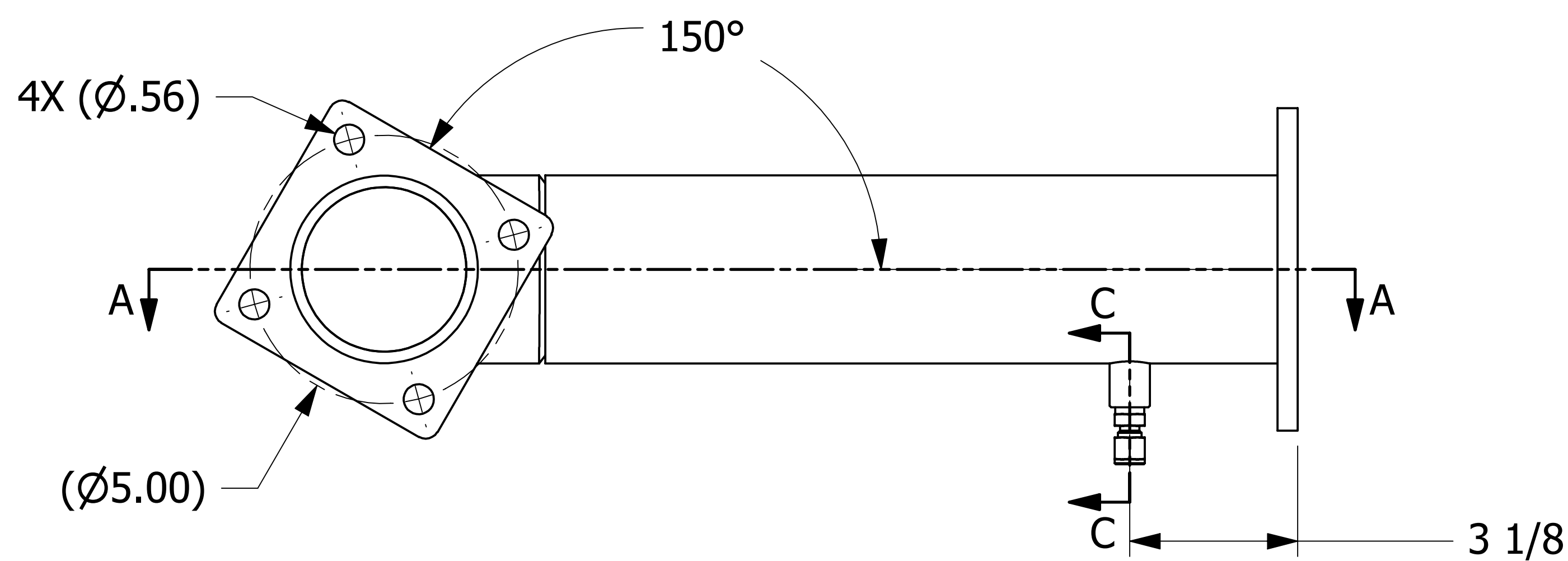


SECTION A-A

NOTES:

- PART MUST PASS QAP4E-1.
- WELD MUST BE IN ACCORDANCE WITH AWS (OR APPROVED EQUIVALENT) BY CERTIFIED WELDERS. PROCEDURES TO BE VENDOR SUPPLIED AND SALCO APPROVED.



SECTION C-C

|     |     |         |                          |
|-----|-----|---------|--------------------------|
| A   | JRS | 10-3-11 | DRAWING ADDED TO NETWORK |
| REV | BY  | DATE    | DESCRIPTION              |

|   |                             |           |
|---|-----------------------------|-----------|
| <small>UNLESS OTHERWISE SPECIFIED DIMENSIONAL TOLERANCES</small><br>FRACTIONAL: ±1/16<br>X.XX: ±.03<br>X.XXX: ±.015<br>ANGULAR: ±1°<br><small>THIS PRINT, PROPERTY OF SALCO PRODUCTS INC, CONTAINS PROPRIETARY INFORMATION AND MUST NOT BE COPIED, REPRODUCED, OR USED DETRIMENTALLY TO OUR INTEREST.</small><br>THIRD ANGLE PROJECTION | DRAWN BY:                   | VD        |
|   | CHECKED BY:                 | PJG       |
|   | PROTOTYPE BY:               | VD        |
|   | PROTOTYPE DATE:             | 10/2/2009 |
|   | APPROVED FOR PRODUCTION BY: |           |
|   | PRODUCTION DATE:            |           |

|                                       |                           |                   |
|---------------------------------------|---------------------------|-------------------|
| <b>SALCO PRODUCTS, INC.</b>           |                           |                   |
| PART NAME: <b>FLANGED ELBOW 3" 90</b> |                           |                   |
| MATERIAL: <b>SEE BOM</b>              |                           |                   |
| PROJECT #: <b>WAG0735</b>             | SHEET #: <b>1 OF 1</b>    | SCALE: <b>1:2</b> |
| DRAWING #: <b>D27562</b>              | PART #: <b>PD3A90F17A</b> |                   |

SALES DRAWING

SALES DRAWING